



# Hanse 360

## Press Manual

*Hanse*   
BREAKING RULES . SETTING TRENDS

27.06.2024







# Hanse 360 – Highlights

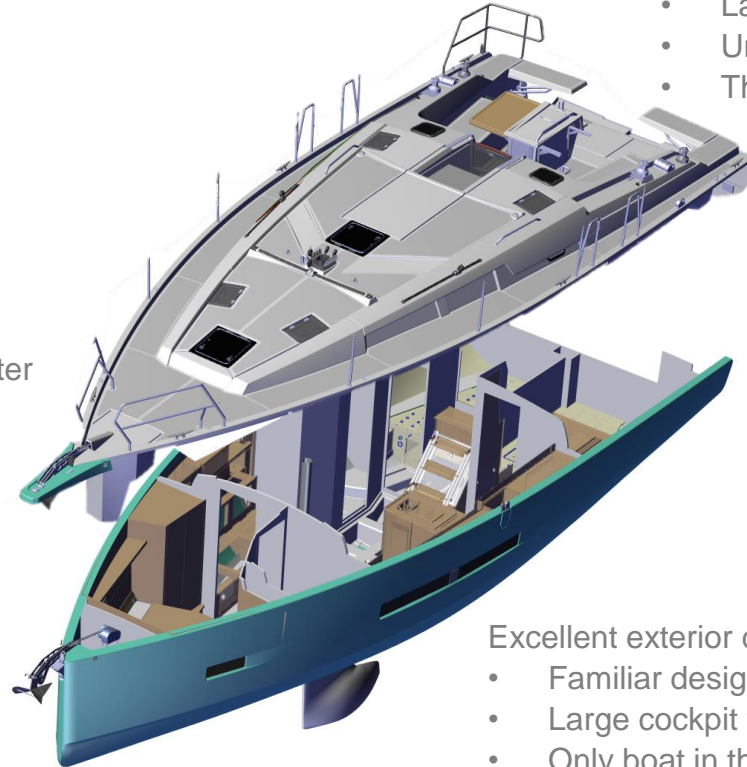


Climate-neutral sailing is the result of a sustainable technical design:

- Fully electric propulsion with up to 55 NM reach
- Fuel cell
- Solar panels
- Sails from recycled material

Interior:

- Large owner's cabin
- Large saloon
- Unique layout options for the interior
- The biggest fridge capacity possible in this class



Sustainable vacation on water

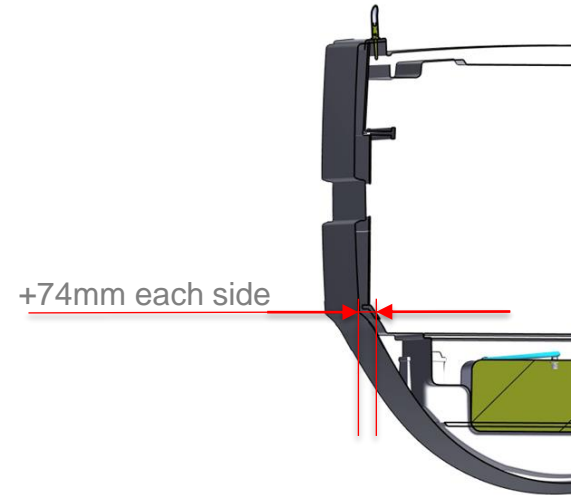
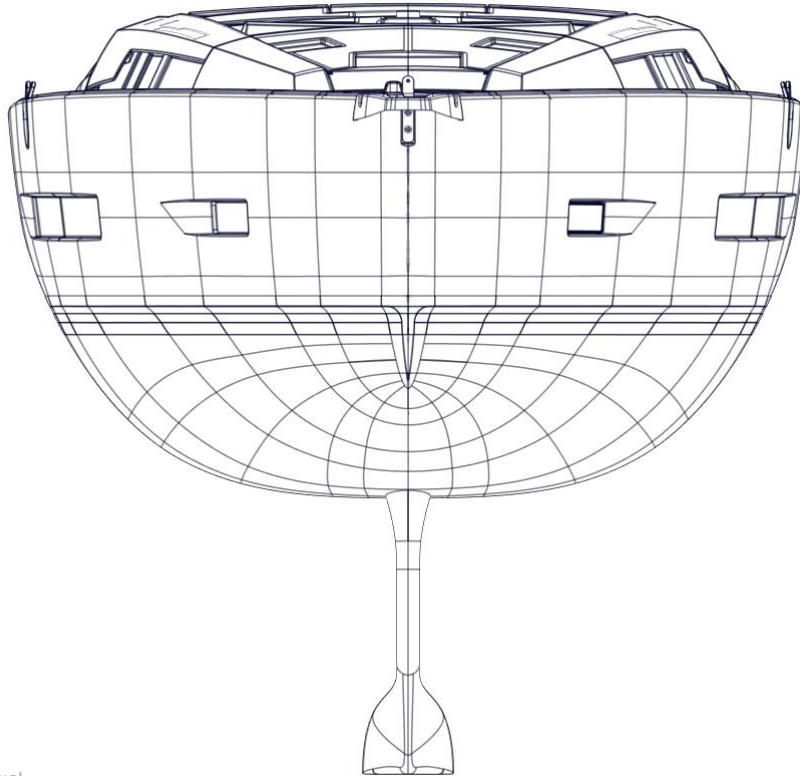
Enjoy the autarchy

Excellent exterior design & features

- Familiar design as known from the bigger new Hanse models
- Large cockpit with optional fridge in the cockpit table
- Only boat in this class with wetbar and BBQ
- Large bathing platform

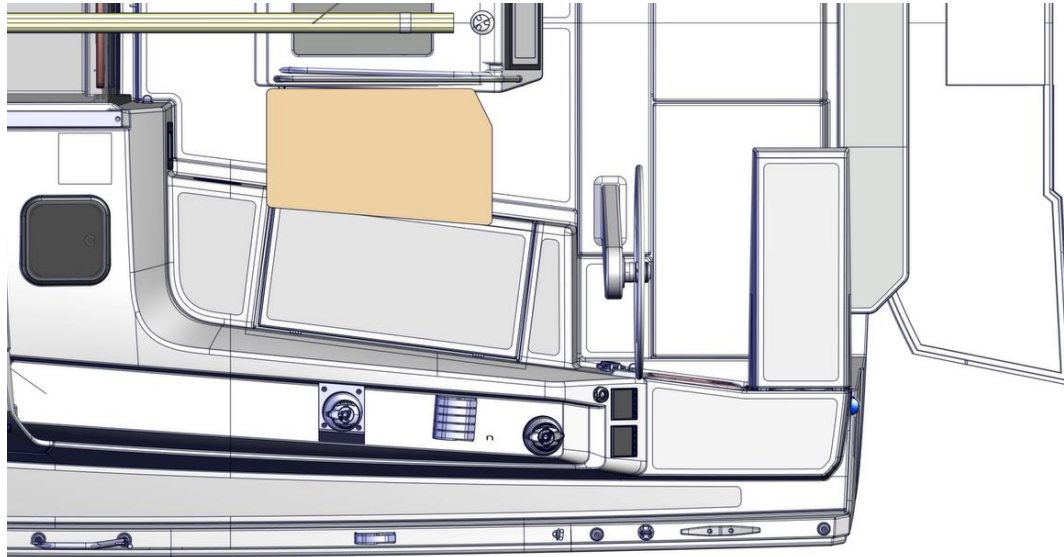
# Hull Shape

With the mix of hard and soft chines, which allow for a narrow waterline with a maximum width at the same time, this yacht will sail comfortably, offer plenty interior volume and still deliver a good performance.



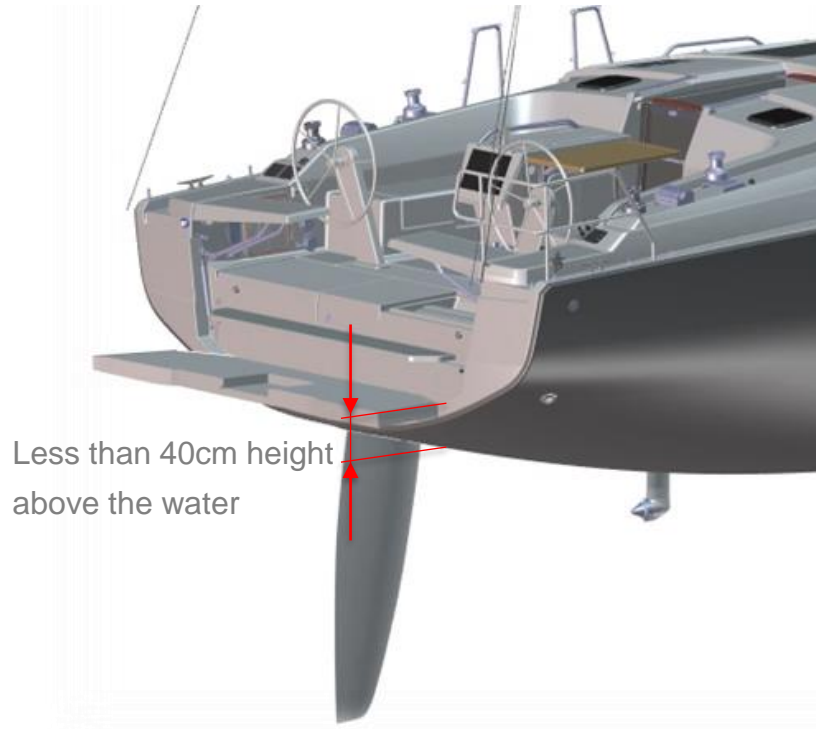
# Made for Single-Handed Sailing

As it is typical for Hanse, also the Hanse 360 is made for Easy Sailing. The yacht can be sailed single-handed while entertaining the guests in the cockpit. Everything important is accessible from the helmsman's position: primary winches and their jammers, backstay, navigation instruments, engine control, autopilot, etc...



# Practical and Safe Bathing Platform

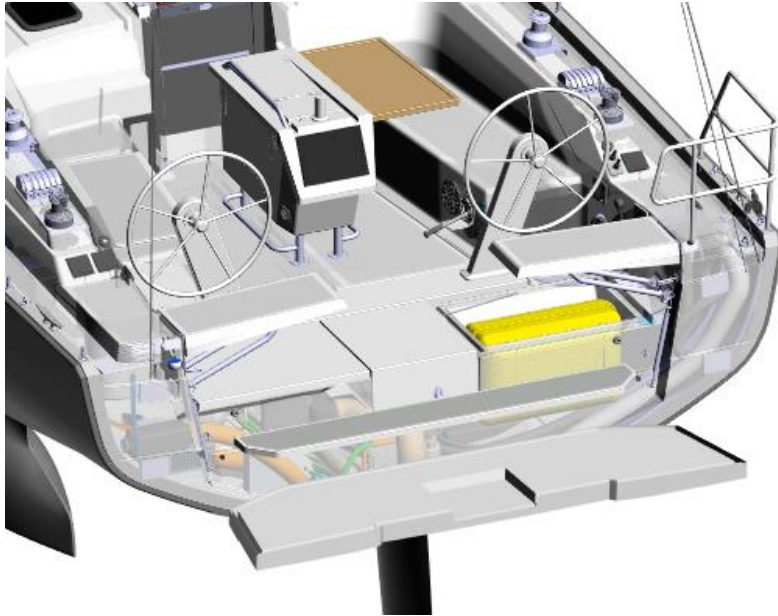
Regarding the bathing platform, there is a strong focus on ergonomics and usability. The Hanse 360 has a full-beam folding step that opens automatically when opening the bathing platform. This allows to access the sea terrace comfortably and safely from the cockpit.





# Easily Accessible Life Raft Storage

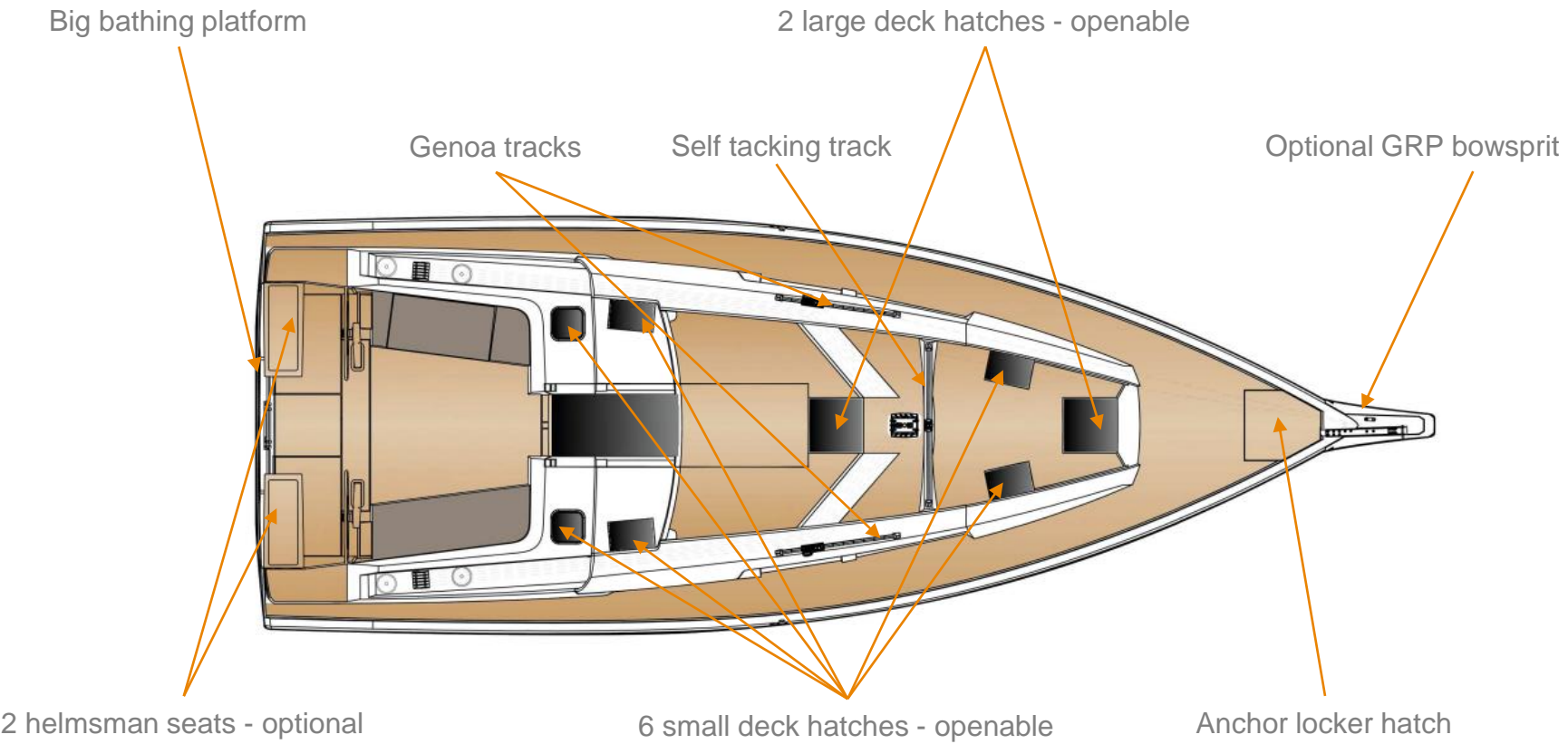
Ideally, no one should ever need a life raft. Nonetheless, the Hanse 360 provides a large life raft storage space under the helmsman's area where a bag or container can be perfectly stowed. Here it is dry and always perfectly accessible in an emergency.



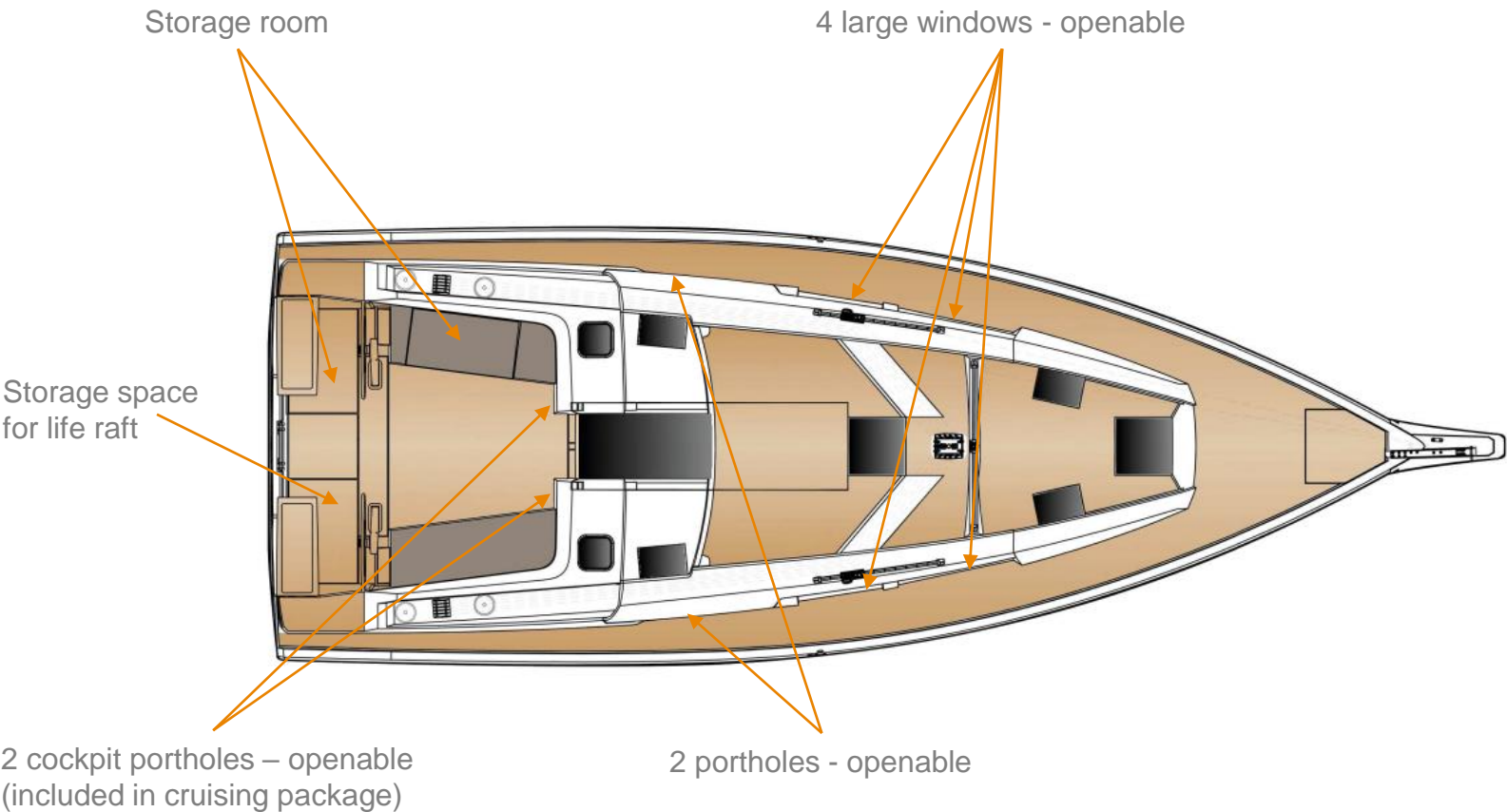
Many current life rafts fit into the storage space:

Name	Person
Plastimo Transocean ISO 9650-1	6
Zodiac Eversafe 6P	6
Compass Ocean iso <24h	6
Crewsafer iso	6
Seatec offshore	6
Zodiac Eversafe 8P	8
Arimar Atlantic P- 8 Container	8
Seatec offshore	8

# Deck Layout

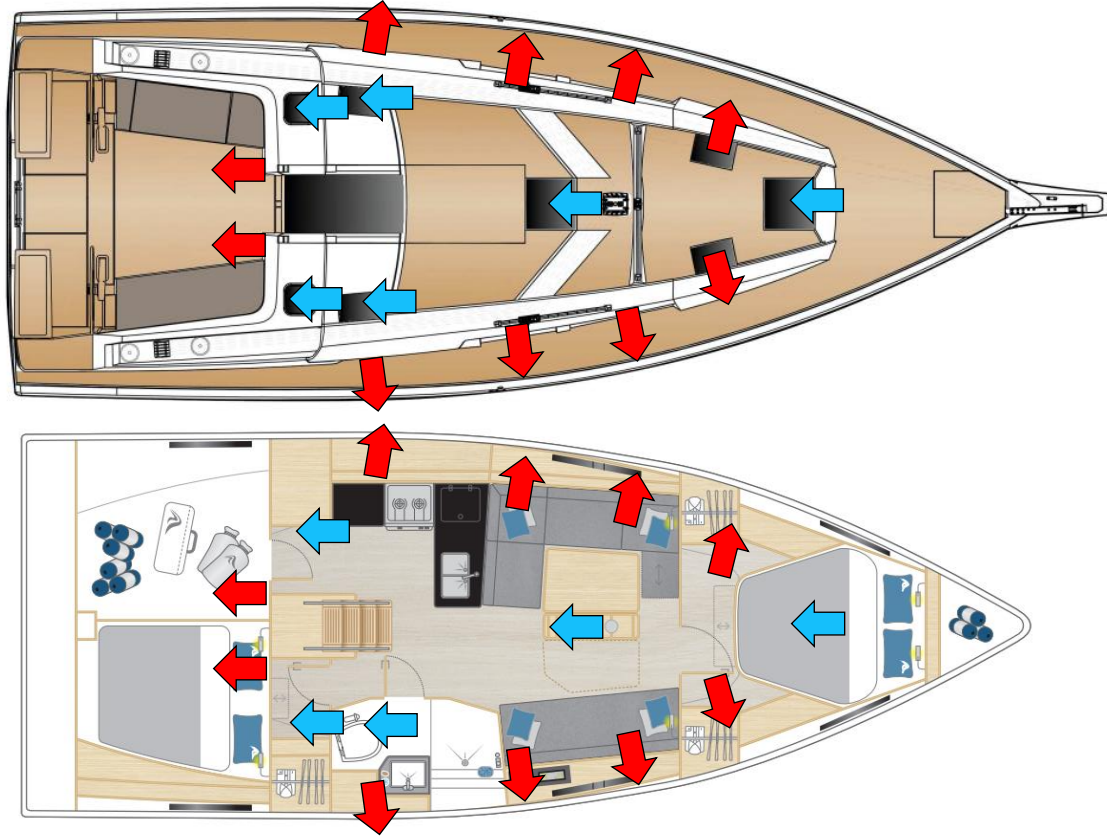


# Deck Layout



# Ventilation Concept

Nothing beats natural light and natural ventilation. An abundance of openable windows and hatches provides for cross ventilation in every cabin, as this is the only way to create a fantastic climate inside the boat





# Master Cabin





# View from Master Cabin

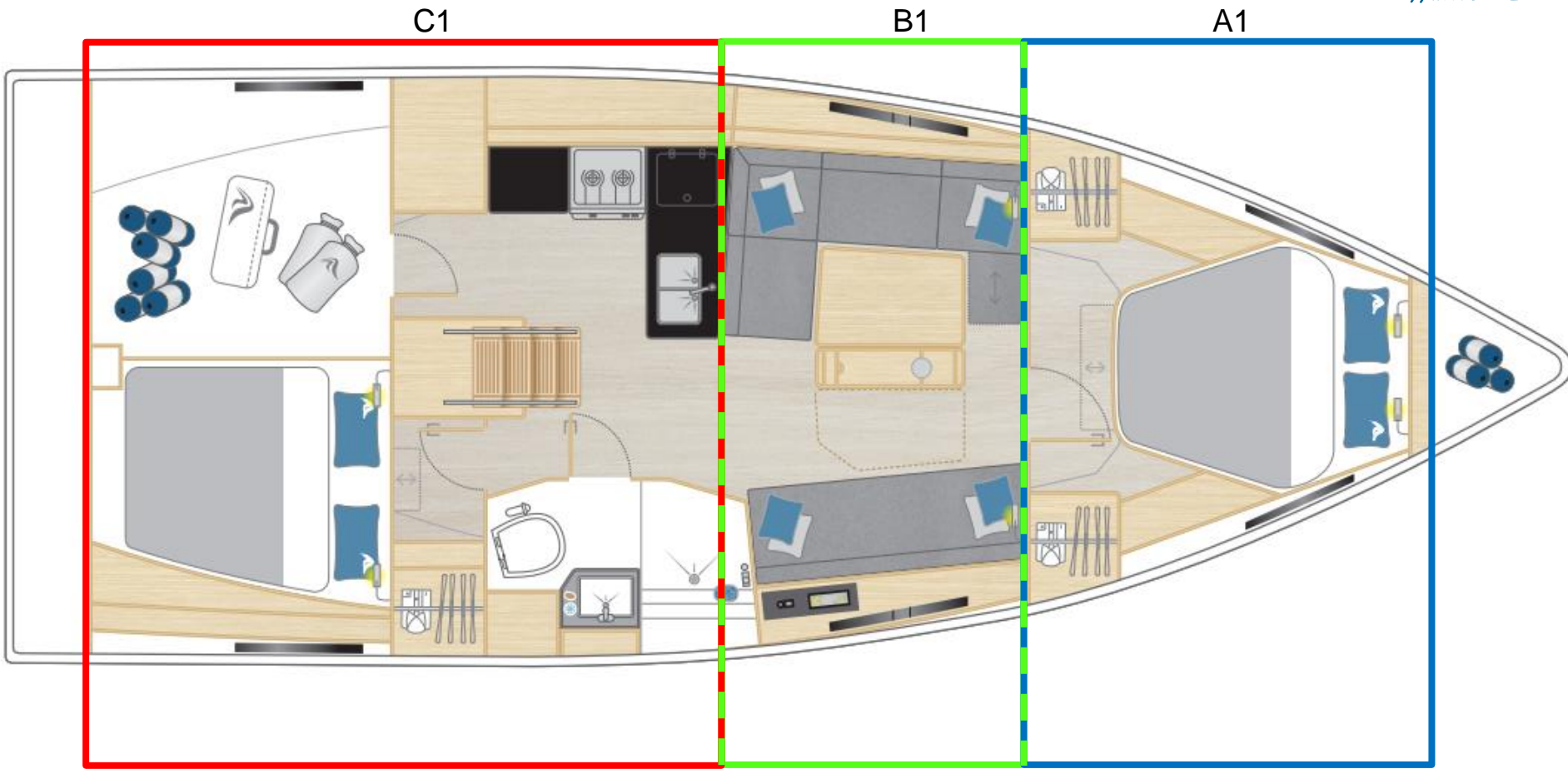




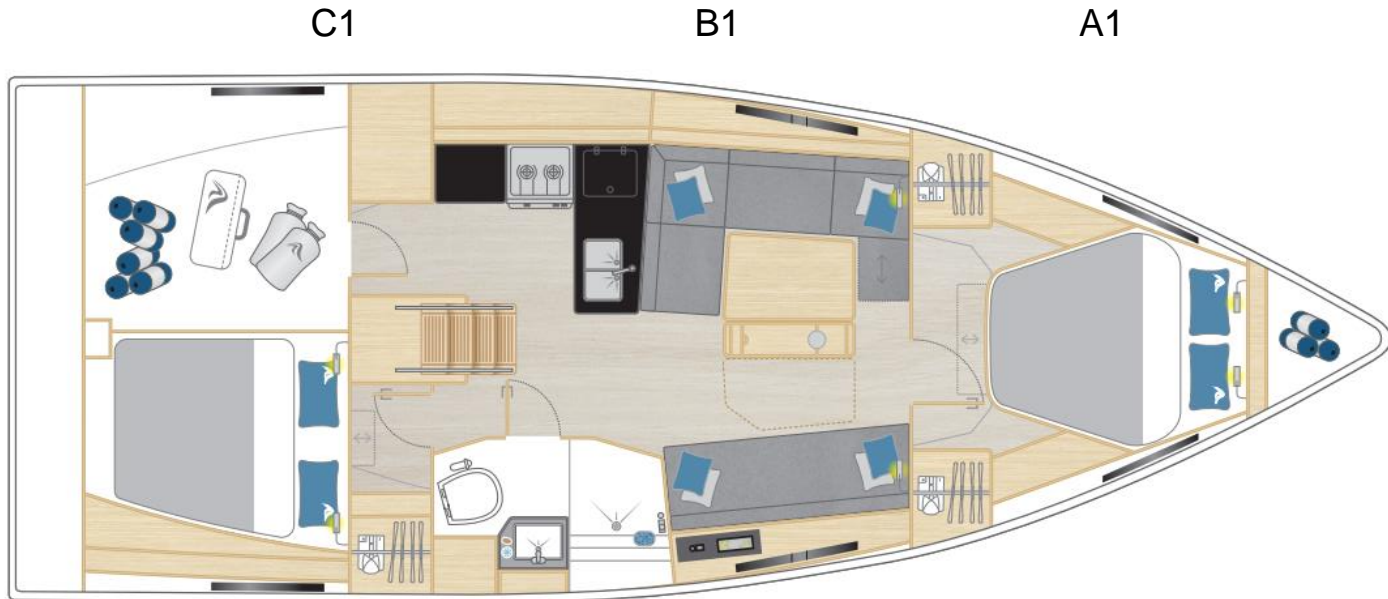
# Pantry and Saloon



# Layout separation



- XL1001 A1: Master cabin with island double berth and storage space
- XL2001 B1: Saloon with large dining area on port and sofa on stb
- XL3001 C1: Large L-galley and storage space on port. Head with separate shower stall, aft cabin with double berth, locker and storage on stb.



XL1001

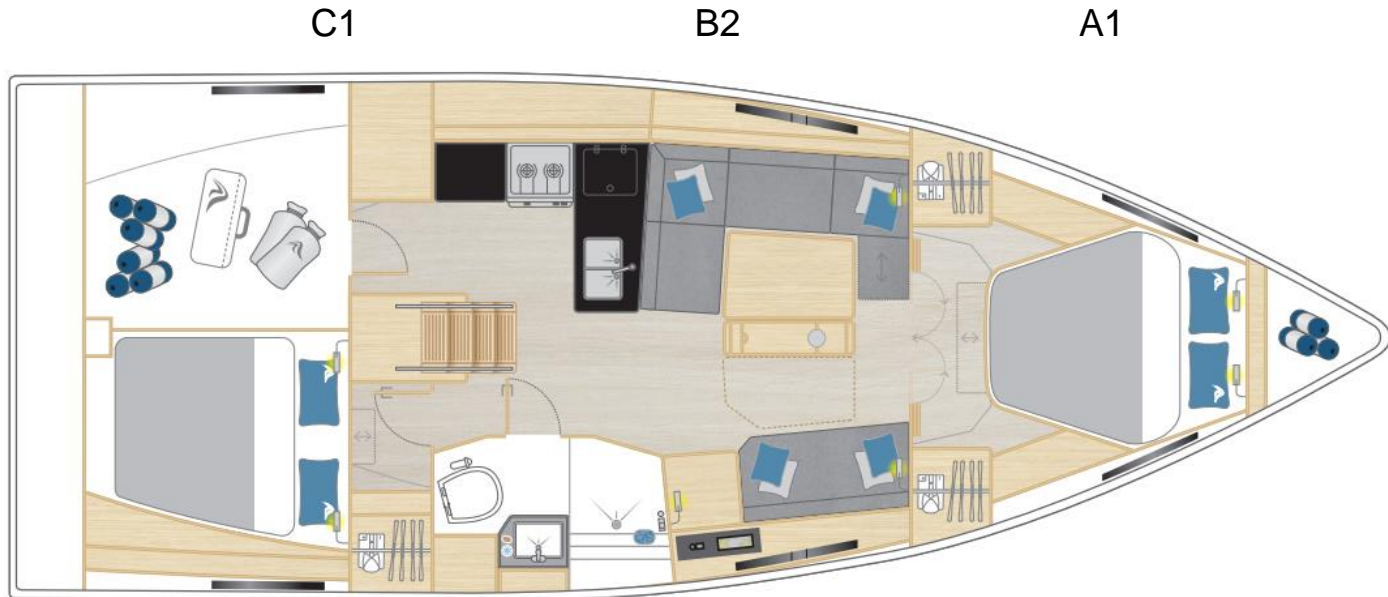
A1: Master cabin with island double berth and storage space

XL2002

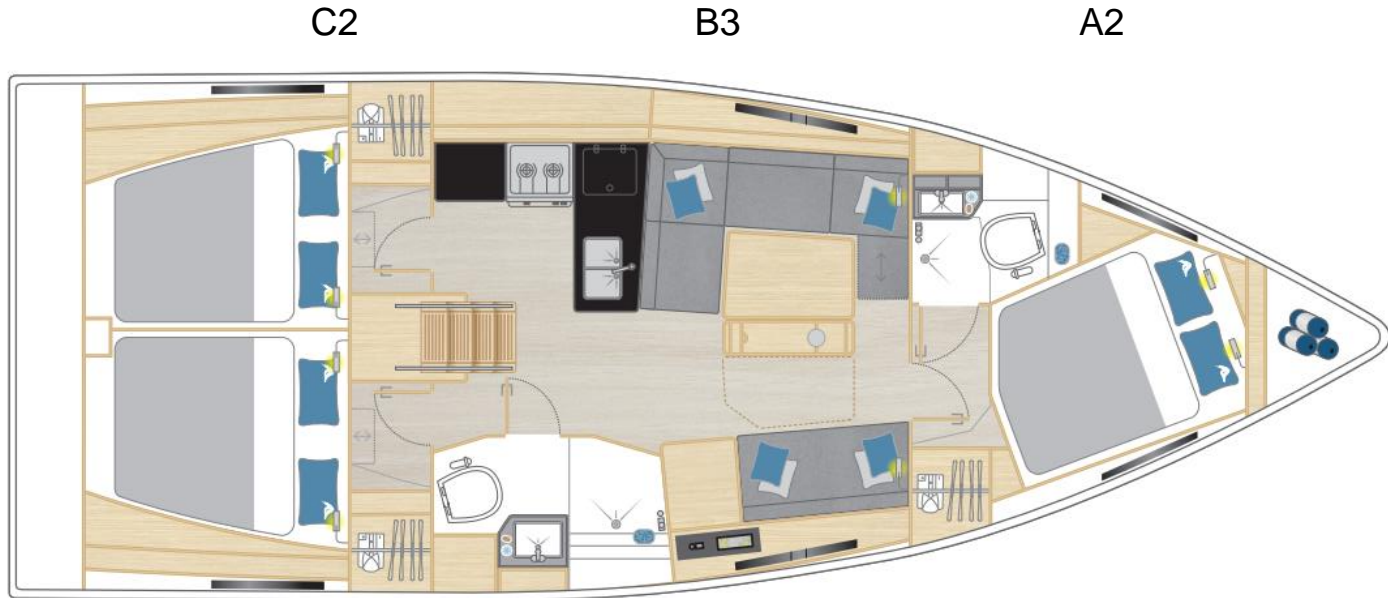
B2: Saloon with large dining area on port and sofa with chart table on stb

XL3001

C1: Large L-galley and storage space on port. Head with separate shower stall, aft cabin with double berth, locker and storage on stb.



- XL1002 A2: Master cabin with double berth, storage space and separate head
- XL2003 B3: Saloon with large dining area on port and sofa with multi function unit, navigation console and storage on stb
- XL3002 C2: L-galley on port and head with separate shower stall on stb. 2 aft cabins with double berth, locker and storage.

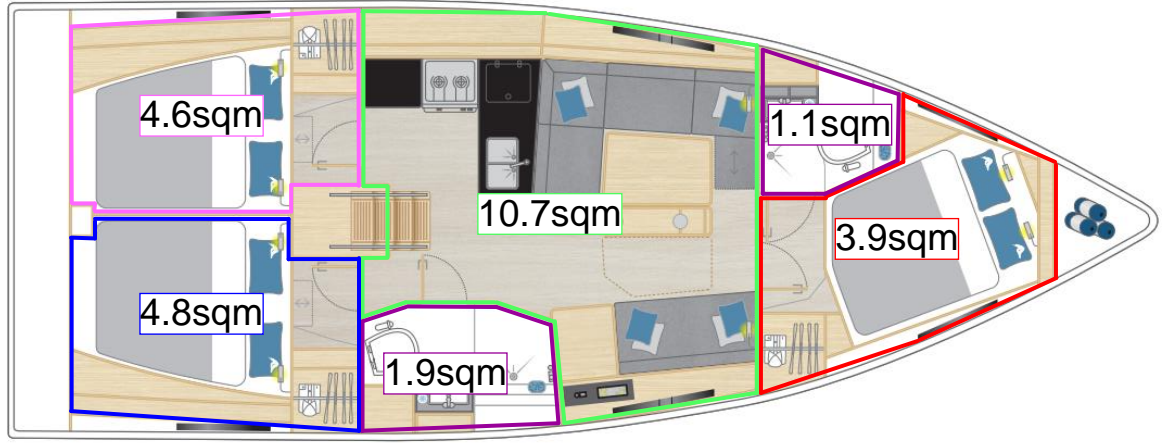
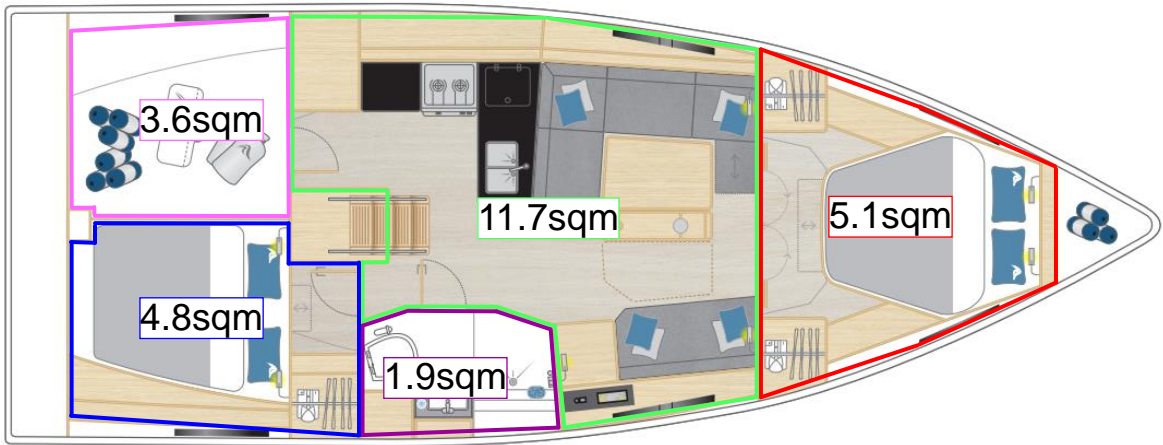


# Measurements



# Measurements

## Comfort area

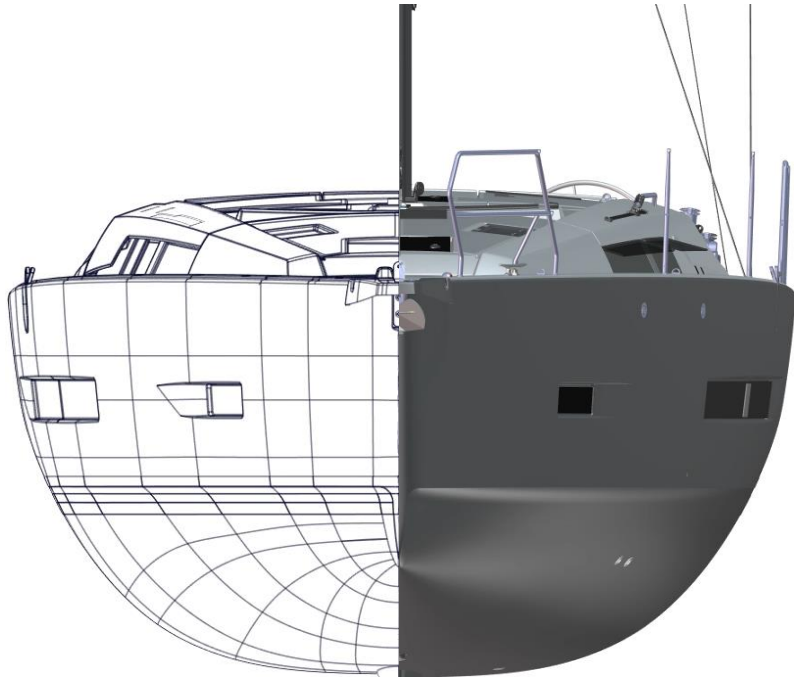


# Mean Dimensions





# Mean Dimensions



L <sub>OA</sub>	approx.	11,18 m	36,68 ft
L <sub>H</sub>	approx.	10,60 m	34,78 ft
L <sub>WL</sub>	approx.	10,29 m	33,76 ft
B <sub>max</sub>	approx.	3,99 m	13,09 ft

<b>Draft</b>			
shallow keel	approx.	1,55 m	5,09 ft
medium keel	approx.	2,00 m	6,56 ft

<b>Displacement</b>			
shallow keel	approx.	t	lbs
medium keel	approx.	t	lbs

<b>Engine</b>			
Standard	approx.	29 PS	29 HP
Option	approx.	39 PS	39 HP

Electric Engine 18kW/h	approx.	25 kW	25 kW
Electric Engine 36kW/h	approx.	25 kW	25 kW

Fuel tank	approx.	160 l	42 gal
Fresh water tank	approx.	345 l	91 gal

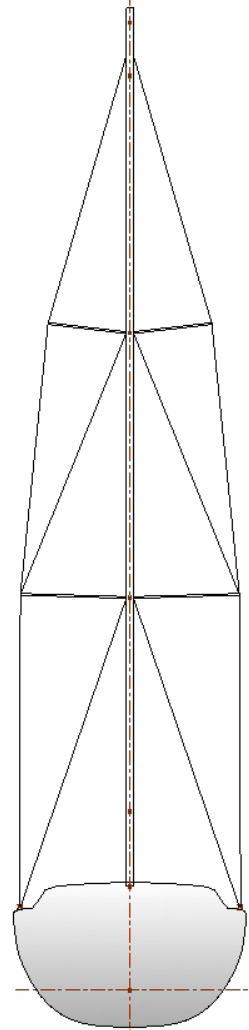
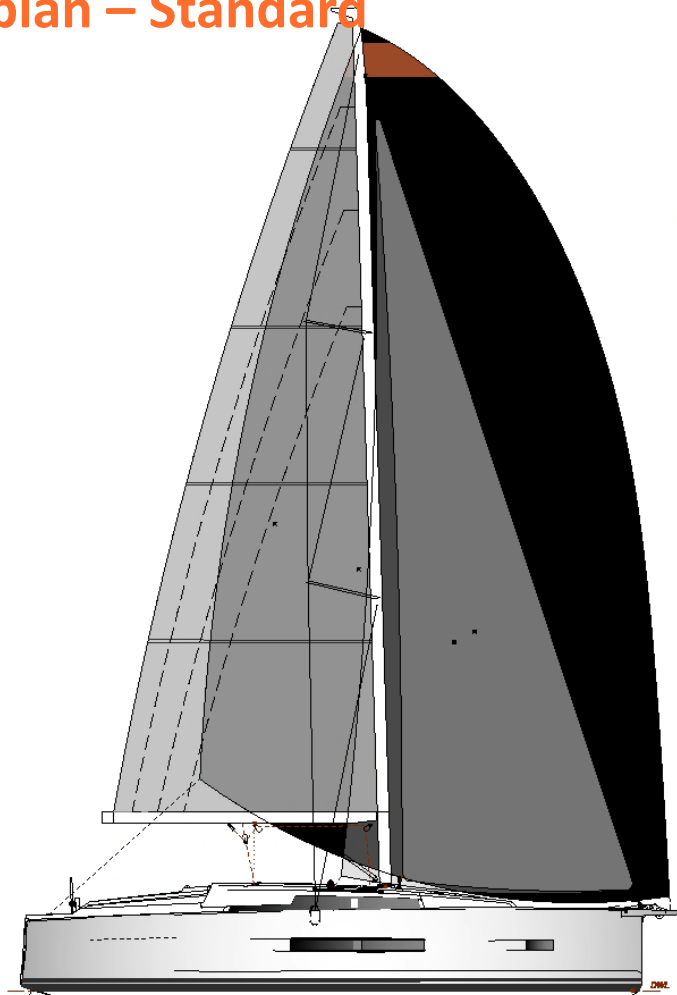
CE Certificate	A-6		
Design	Berret - Racoupeau		
Interior	Berret - Racoupeau		

Mast lenght above WL	approx.	16,75 m	54,95 ft
Total sail area	approx.	66 m <sup>2</sup>	710,42 sq ft
<b>Main sail</b>			
Performance	approx.	40 m <sup>2</sup>	430,55 sq ft
Standard	approx.	34 m <sup>2</sup>	365,97 sq ft
Furling	approx.	33 m <sup>2</sup>	355,21 sq ft
Self tacking jib	approx.	26 m <sup>2</sup>	279,86 sq ft
Genoa	approx.	32 m <sup>2</sup>	344,44 sq ft
Cross over	approx.	68 m <sup>2</sup>	731,94 sq ft
Gennaker	approx.	103 m <sup>2</sup>	1108,68 sq ft

# Sailplan – Standard



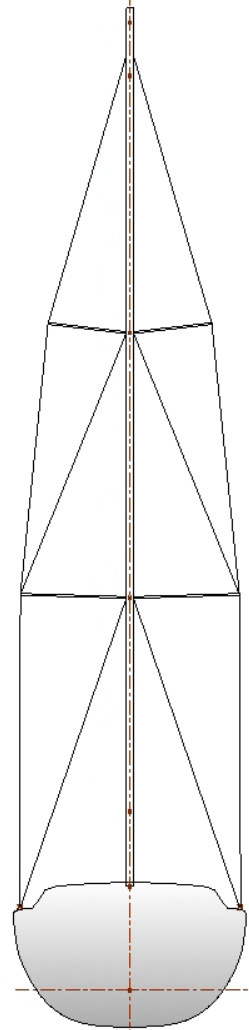
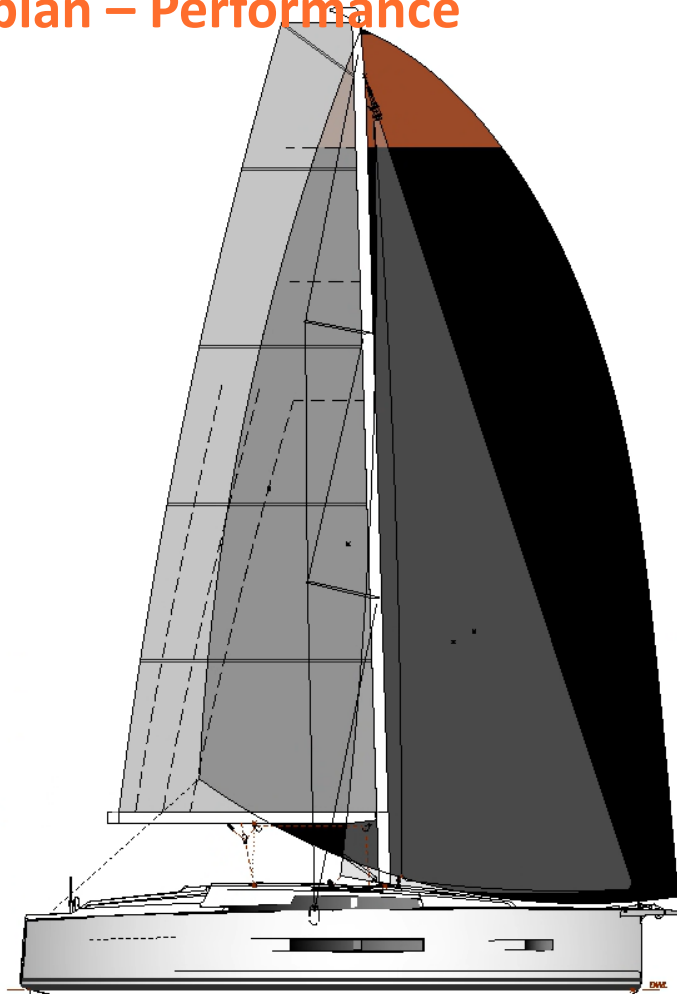
- Standard rig with pin top main sail
- Sail area main and jib: 60sqm
- Airdraft: 16.74m



# Sailplan – Performance



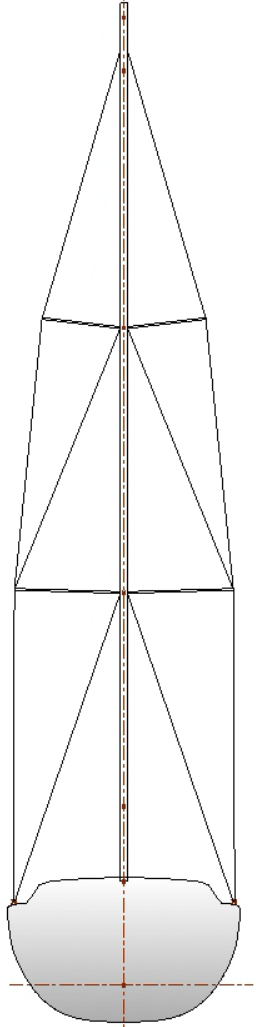
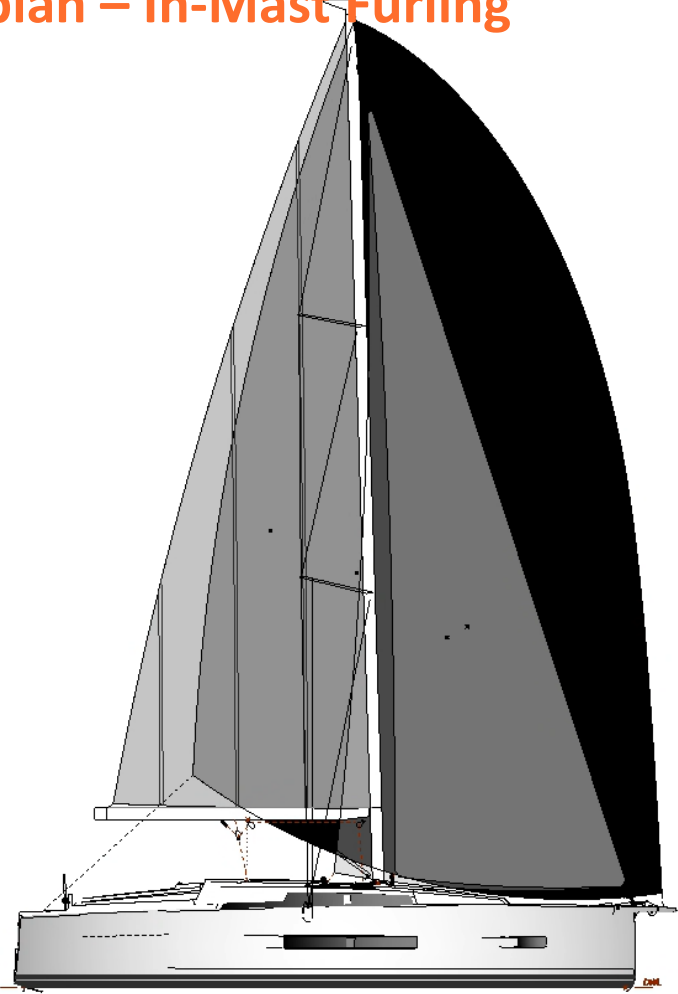
- Performance rig with square top main sail
- Sail area main and jib: 67sqm
- Airdraft: 16.74m



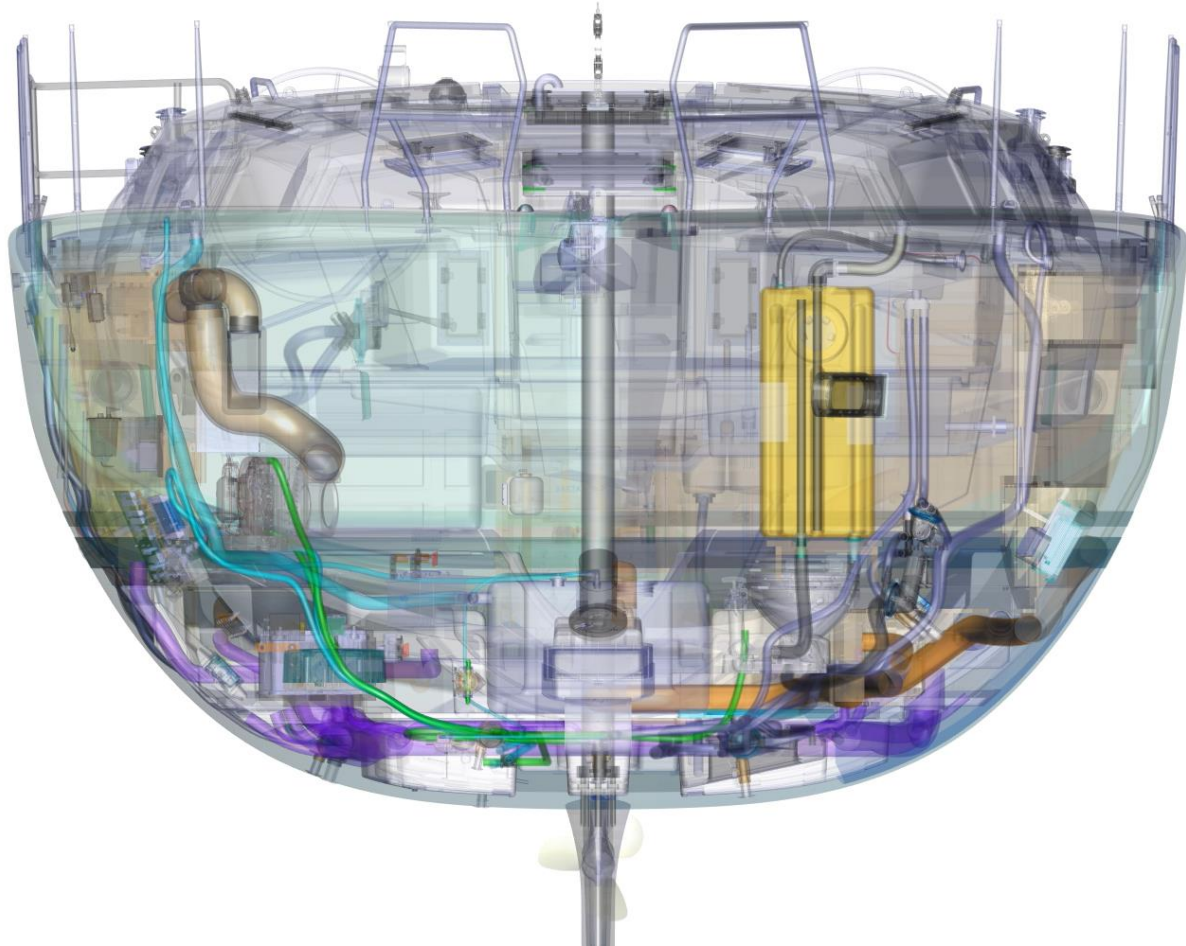
# Sailplan – In-Mast Furling



- In-mast furling rig
- Sail area main and jib: 59sqm
- Airdraft: 16.74m



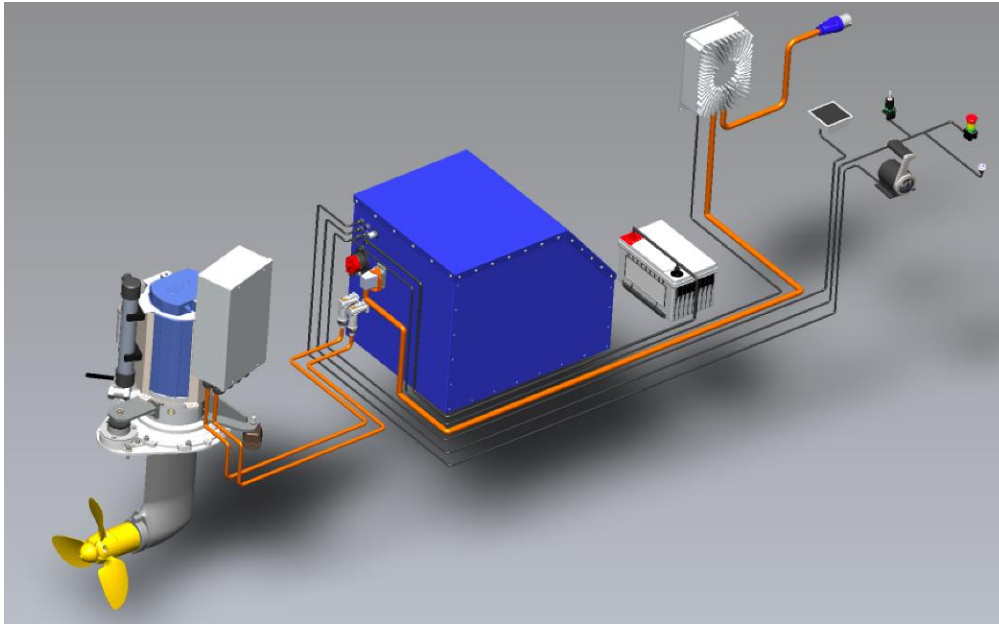
# Packages and Options



# Options – Electric Propulsion

XL7001      Electric propulsion (approx. 25kW / 36,7kWh battery) – sail drive, folding propeller

We developed a completely new electric propulsion system, which works with a well-known and proven sail drive. Based on an extremely efficient 100 Volt system, this allows an absolutely zero-emission sailing sport – if charged with green electricity.



- For maximum safety, the battery is installed in a steel safe.
- The final range will be higher, we will announce the exact data after the first tests for both battery options.

# Options – Fuel Cell

## XG0900 Fuel cell system

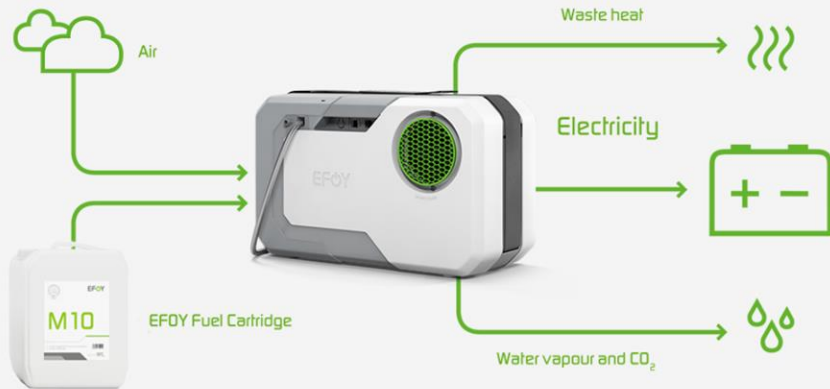
Proven in a wide range of stationary and mobile industrial applications, it's now also available for a superior travel experience on the Hanse 360 with a high energy demand. With a maximum power of 125 W and a maximum charging capacity of 250 Ah per day, the new EFOY Pro 2800 delivers powerful and environmentally friendly electricity.

The EFOY charges the battery fully automatic and maintenance-free. It switches on when the battery needs charging and switches off again when the battery is fully charged, you only need to change the fuel cartridge when it is empty.



- We have been using this fuel cell in our Hanse 385 company yacht for nearly two years now without any problems. With its intuitive operation, it is an easy-to-use system.

### How the EFOY fuel cell works



Please use the WLAN-router, to get better usage. Updates are much easier with WLAN



# Options – Solar Panels

XH2080 Solar panel on coach roof

The Hanse 360 offers solar modules with a total of 180Wp power as an option.



- This allows independent anchoring with the Hanse 360 for longer periods



# Options – Synthetic Teak/Teak

Synthetic teak and teak options

Synthetic teak is available in these colours :

- |                       |                       |                          |
|-----------------------|-----------------------|--------------------------|
| 1. Classic Teak Black | 4. Grinded Teak Black | 7. Blue Water Teak Black |
| 2. Classic Teak Grey  | 5. Grinded Teak Grey  | 8. Blue Water Teak White |
| 3. Classic Teak White | 6. Grinded Teak White |                          |



- The colours can be found in our current colour card



The alternative is real teak:

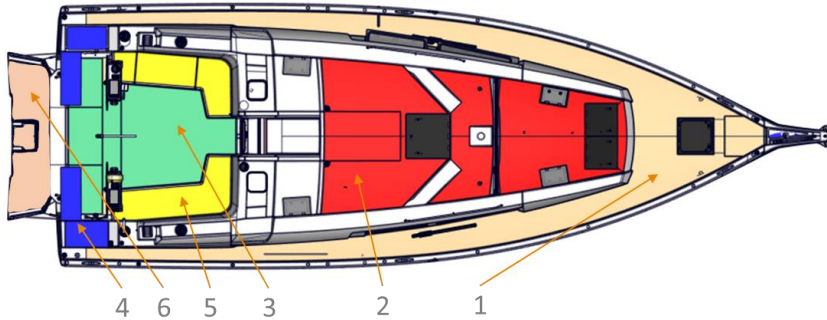


# Options – Synthetic Teak/Teak

## Synthetic teak and teak options

1	XC1300	Real teak on side deck
	XC1301	Synthetic teak on side deck (colour selection)
2	XC1310	Real teak on coach roof
	XC1311	Synthetic teak on coach roof (colour selection)
3	XC1325	Real teak on cockpit bottom
	XC1326	Synthetic teak on cockpit bottom
4	XC1333	Real teak on helmsman seats
	XC1334	Synthetic teak on helmsman seats
5	XC1340	Real teak on cockpit benches
	XC1341	Synthetic teak on cockpit benches
6	XC1350	Real teak on bathing platform
	XC1351	Synthetic teak on bathing platform

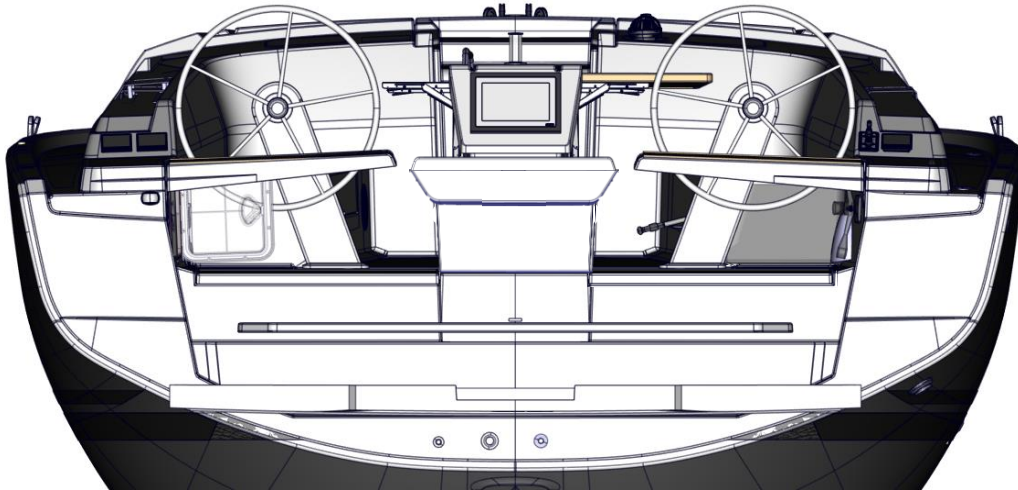
Part of the Cruising Package or Upgrade



- We use the same logic as on the Hanse 410.

# Options – Wetbar with BBQ

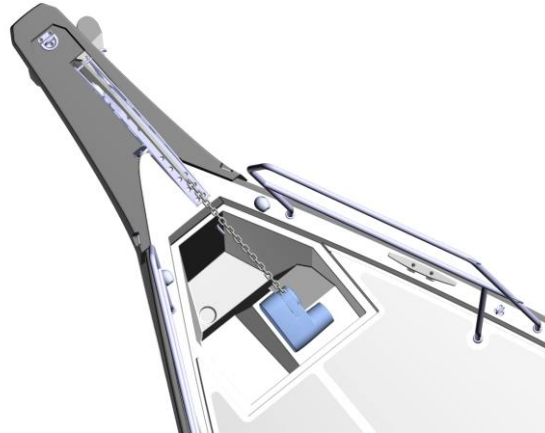
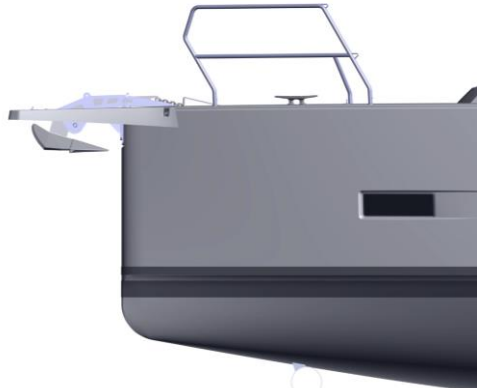
XC3100 Wetbar with BBQ in cockpit



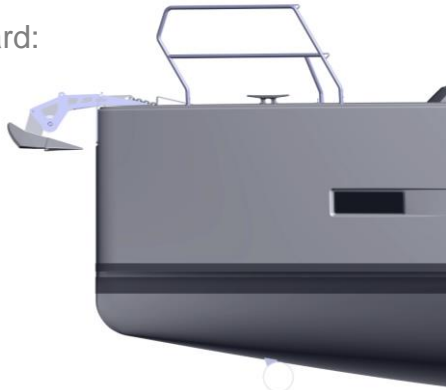
- This optional upgrade makes the Hanse 360 a real big boat

# Options – Composite Bowsprit

XC9170 Composite bowsprit with integrated anchor and forestay fitting with mooring roll incl. crossover and gennaker tack point



Standard:



- With this option the gennaker can be hoisted further forward of the forestay, which is an advantage when jibing

# Options – Sails

Sail quality

Standard is our

Elvstrøm Dacron  
Layout: Cross Cut

1st upgrade:

Elvstrøm Blue Water Dacron Cross Cut  
Layout: Cross Cut

2nd upgrade:

Elvstrøm SPS  
Sustainable Performance Sail  
Layout: Triradial



- The Sustainable Performance Sails are the perfect choice for our environmentally friendly sailing sport



# Options – Navigation

XW2000 Navigation Package  
 XF2200 2 Raymarine i70s multifunction displays in cockpit, incl. transducer (wind/depth/speed/temperature)  
 XF4010 Raymarine AXIOM PRO 9 S chart plotter with HybridTouch multifunction display on cockpit table



XW2001 Upgrade - 12" chart plotter  
 XF4011 Raymarine AXIOM PRO 12 S chart plotter with HybridTouch multifunction display at cockpit table



XW2002 Upgrade - Navigation Package  
 XF3000 Raymarine VHF Ray63 in saloon, incl. wireless remote handset (only with XK5000)



XF5000 Raymarine Evolution Autopilot with p70s display and wireless remote control  
 XK5000 VHF preparation with antenna and splitter for FM and AIS



- Configure your navigation package as needed

# Options – Entertainment

- XW7000 Entertainment package
- XH2090 Wireless charging in saloon
- XK1000 FUSION MS-RA70N Multimedia radio with bluetooth - for saloon and cockpit
- XK2000 2x 2 speakers in saloon and cockpit
- XK3070 FUSION MS-NRX remote control in cockpit



- Entertainment that leaves nothing to be desired

- XW7001 Upgrade - premium radio
- XK1001 FUSION APOLLO MS-RA770 multimedia radio with Wi-Fi and touchscreen - for saloon and cockpit
- XK3071 FUSION MS-ERX400 remote control in cockpit
- XK5030 FUSION wireless link - remote control via mobile devices

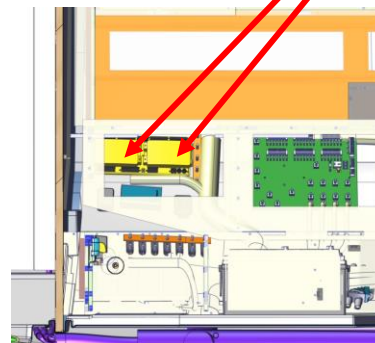
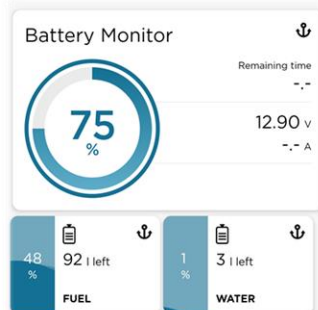


# Options – DC Panel



## New DC Panel

Our new DC panel provides excellent monitoring and direct feedback. It can also be used with an app for mobile devices. This enables a person on board to connect their mobile phone to the panel and, for example, check the tank volume and battery capacity or make adjustments.



- The switches provide a good feedback.
- We moved the fuses from the back of the panel behind the bench – well sorted and easy to replace.



# Options – Batteries

XH1005 Battery set, capacity: 1x 90 Ah + 2x 200 Ah Li-Ion

There are three different options for service batteries

XH1000 1x 160Ah AGM with 35A charger  
(Standard)

XH1001 2x 160Ah AGM with 50A charger



XH1005 2x 200Ah LiFePO4 with 75A charger



- The LiFos 200 battery has an integrated BMS and a main switch. When switched off, the battery loses only 2 % of its charge within six months – a great advantage also in winter storage.

# Options – Smart Connection

## XW6500 Smart Connection Package

Smart living on board made easy with this package:

### XF4655 Interior camera

With these cameras, you can see what's happening on board from the comfort of your own home. And when you're on board, simply store the wireless cameras in the cupboard to ensure that your privacy cannot be disturbed.



### XK5031 WLAN router incl. booster antenna

Yacht Router Mini s5 will provide the ability to establish two vessel networks (e.g. owner, guests) as WIFI and cable version. Each vessel network can be simultaneously connected to either the same or to different internet sources. The Yacht Router Mini's dual card slot allows to use two SIM cards from one or two providers.



For WIFI connection over long distances, WIFI Booster s5 is the device of choice. This add-on module is part of this package. WIFI Booster is a waterproof, power-over-ethernet device that can be installed directly on the mast. With the high-gain outdoor antenna, expect an internet connection of up to 10 NM range, in good conditions even more.



- Internet on board is almost a must, and with this package you are connected to the world wide web even in the bay in front of the marina.

# Options – Propulsion

## Propulsion

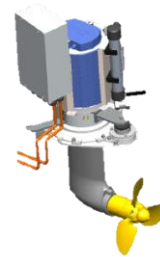
XG1001 Engine (diesel, approx. 29 hp) - saildrive, 2-blade folding propeller



XG1101 Engine (diesel, approx. 39 hp) - saildrive, 2-blade folding propeller



XG1500 Electric propulsion (approx. 25kW / 18,4kWh battery) – saildrive, 3-blade folding propeller



XG1510 Electric propulsion (approx. 25kW / 36,7kWh battery) – saildrive, 3-blade folding propeller



XG3101 Bow thruster, 12 V, retractable, incl. battery

XG3201 Stern thruster, 12 V, retractable, incl. battery



- Choose from a wide range of options, depending on individual needs and requirements.

# Options – Drawer Fridge

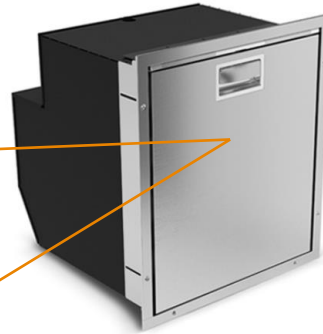
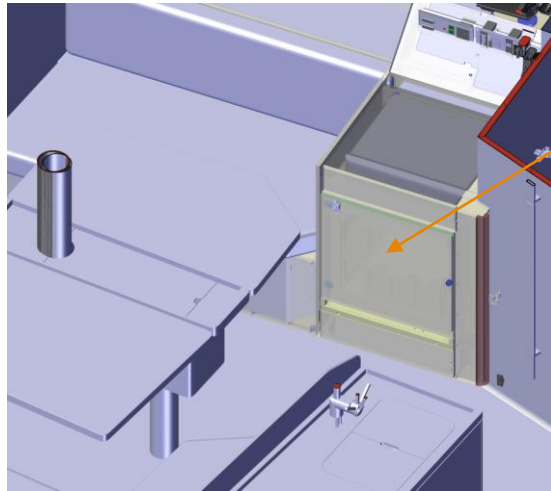
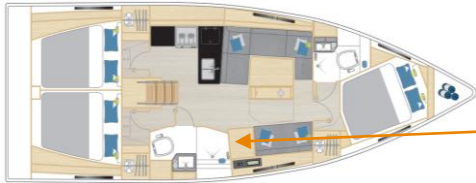
XH5101 Additional drawer fridge in galley (only with XH1001 or XH1005 and layout C1)



- A 130l volume fridge freezer combination provides more flexibility on any trip

# Options – Fridge or Freezer

XH5100 Additional fridge in multifunction unit (not with XH5120 and XH5210 - only with XH1001 or XH1005 and layout B3)



- With the B3 layout, we offer an optional 62-litre fridge or freezer, which will make the time on the water even more enjoyable

# Options – Foldable Saloon Table

XL7001 Saloon table, foldable with integrated bar



Standard:



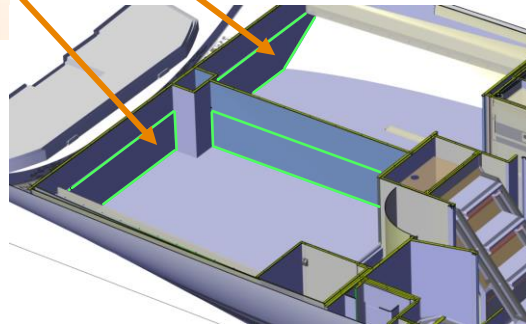
- Choose what is best for your intended use

# Options – Flagship Package

XW6000      Flagship package

This package includes:

XL7235      Headboards for all cabins



- This gives the cabins an extra level of cosiness

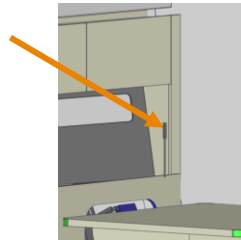
# Options – Flagship Package

XW6000 Flagship package

This package includes:

XL7410 Leather covered handrails

XL9002 Reading lights at the main bulkhead



Std:



- The moulded upholstery and the fine material mix of the upgrade are a serious gain in comfort and a feast for the eyes

XN2055 Luxury upholstery in saloon



Std:

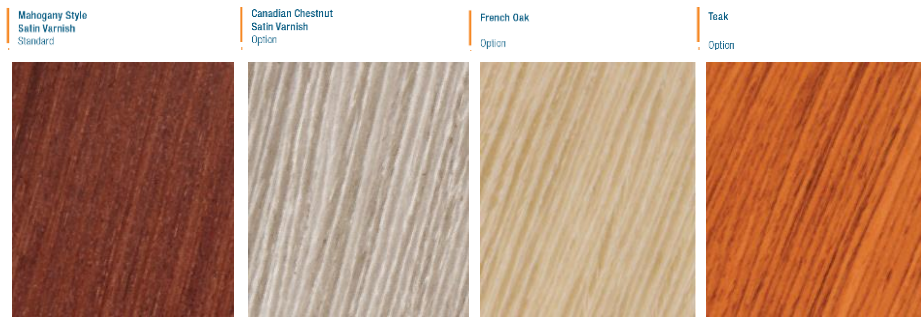




# Options – Wood, Floorboards & Work Tops

## Interior Colours

Interior wood: Marine optimised real wood veneer from ALPI

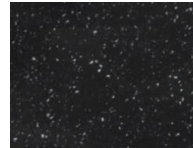


## Floorboards:



Work tops:

Black Quartz



Off White



- Well-known, well-received and proven, here are the products from our sample book

