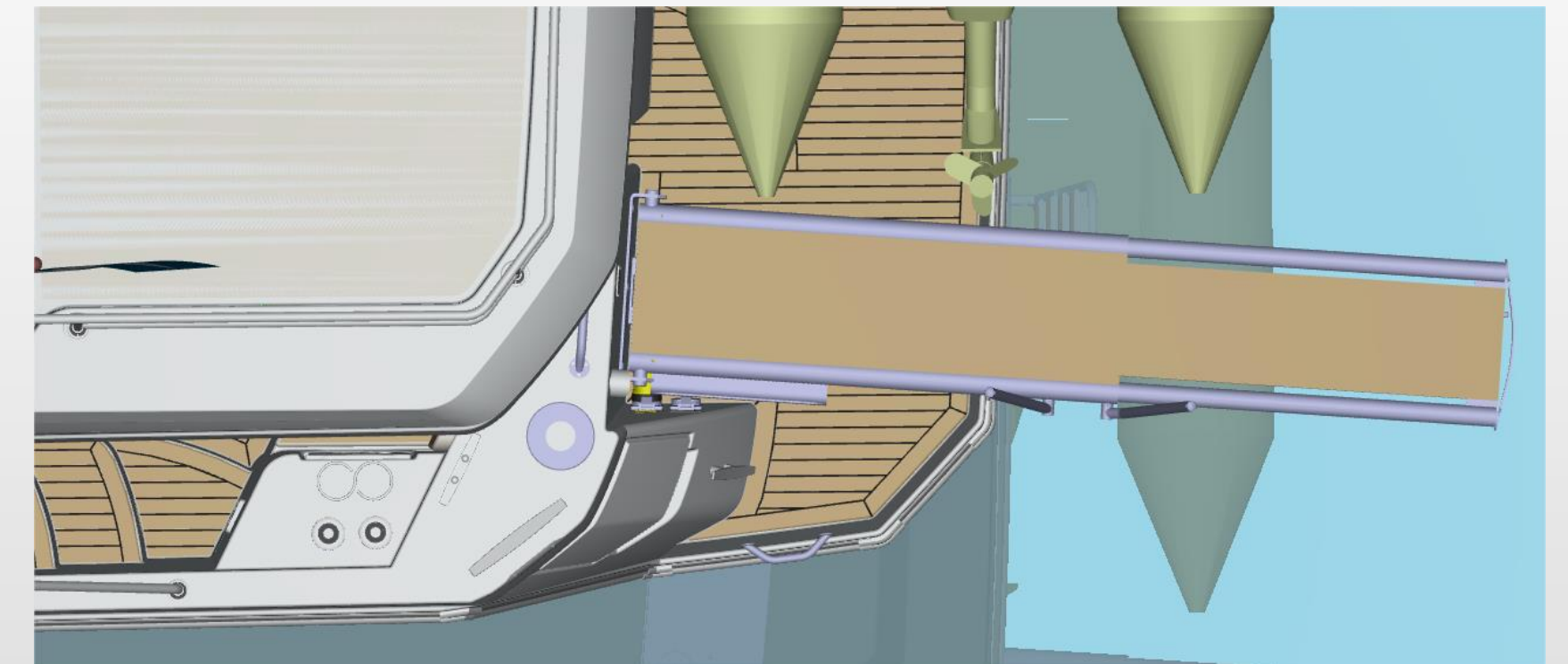


35

Option **BE P01**

Hydraulic gangway– Passerelle hydraulique
2,25m

MAJ / Update
06/05/2017



Hydraulic unit

Electric unit

